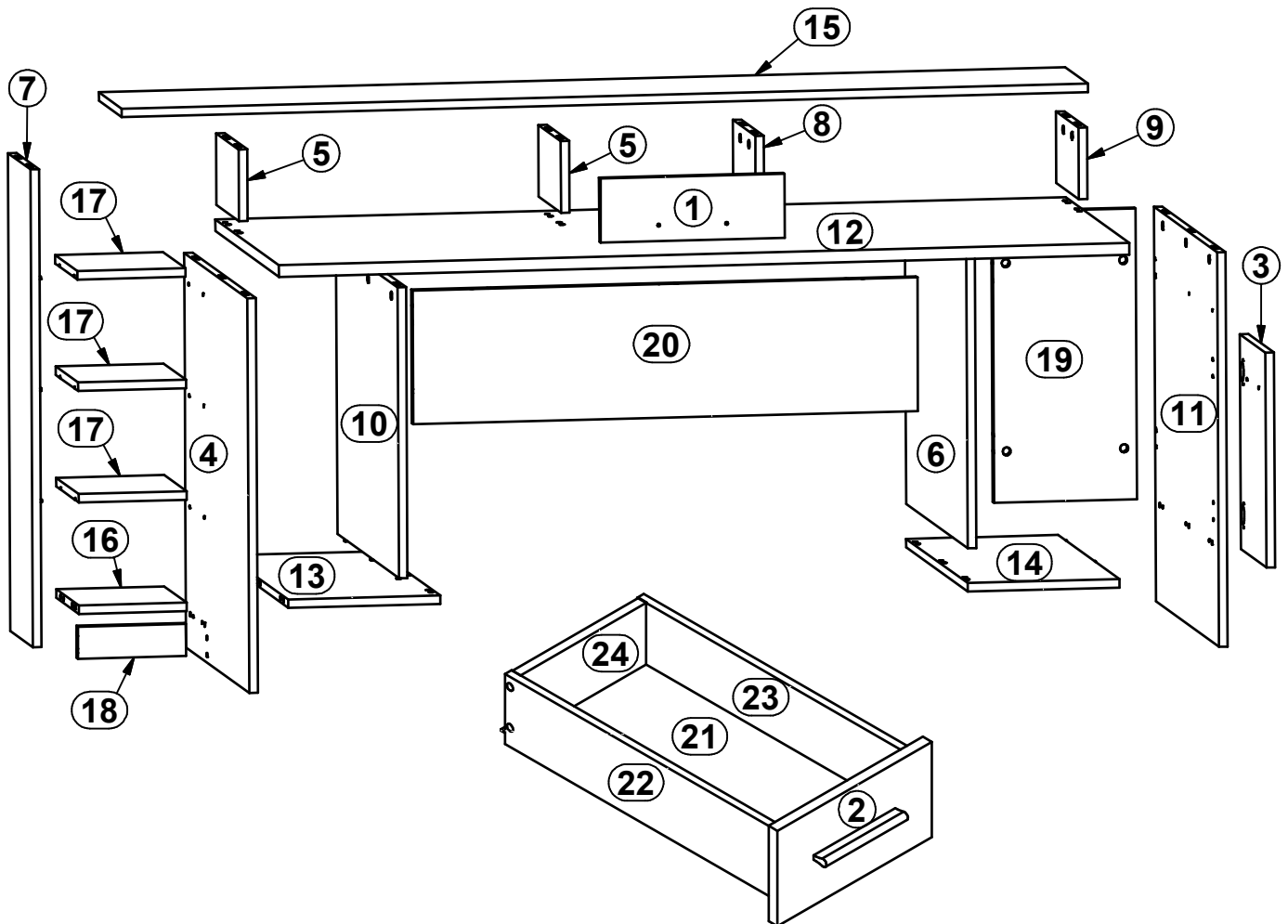
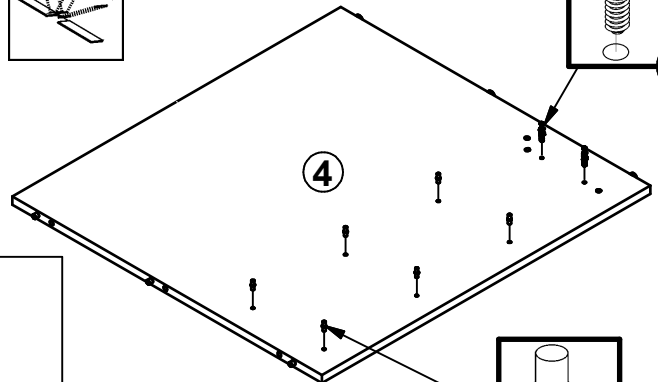
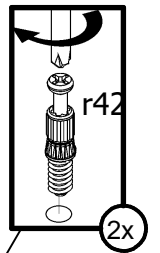
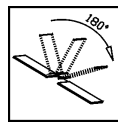
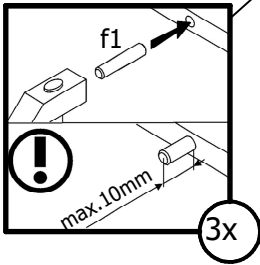
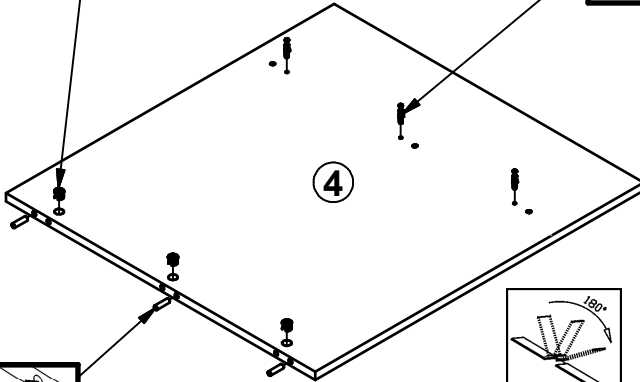
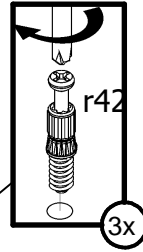
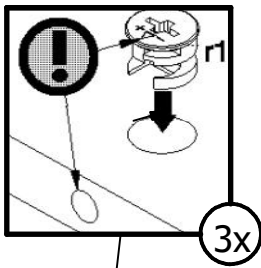


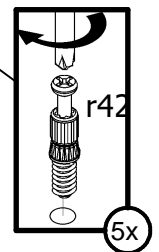
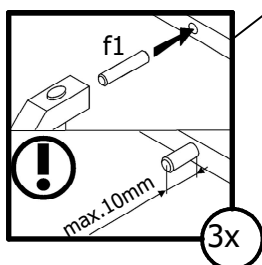
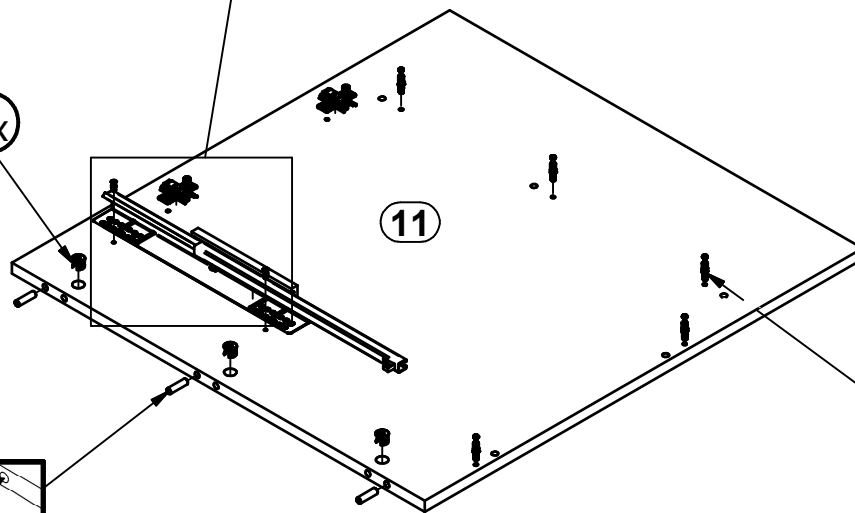
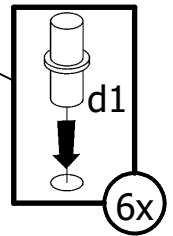
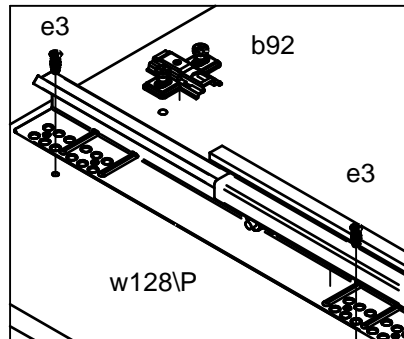
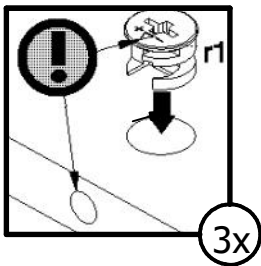
A	B	C1	C2	C3	D
1	S539-0001	346	120	16	3/3
2	S541-0001	280	150	16	2/3
3	S541-0002	402	280	16	2/3
4	S541-1001	738	696	16	1/3
5	S541-1002	134	248	16	1/3
6	S541-1003	544	677	16	1/3
7	S541-1004	894	248	16	2/3
8	S541-1005	134	248	16	3/3
9	S541-1006	134	248	16	3/3
10	S541-1007	544	677	16	1/3
11	S541-1008	738	696	16	1/3
12	S541-2001	1600	700	22	2/3
13	S541-2002	286	678	16	1/3
14	S541-2003	286	677	16	1/3
15	S541-2004	1818	250	16	3/3
16	S541-3001	203	247	16	3/3
17	S541-3002	203	247	16	3/3
18	S541-4001	203	60	16	3/3
19	S541-4501	544	269	16	2/3
20	S541-4502	993	250	16	2/3
21	WSP-9415	239	508	2,5	3/3
22	ZQ6-523	500	110	12	2/3
23	ZQ6-524	500	110	12	2/3
24	ZQ6-5253	229	97	15	2/3



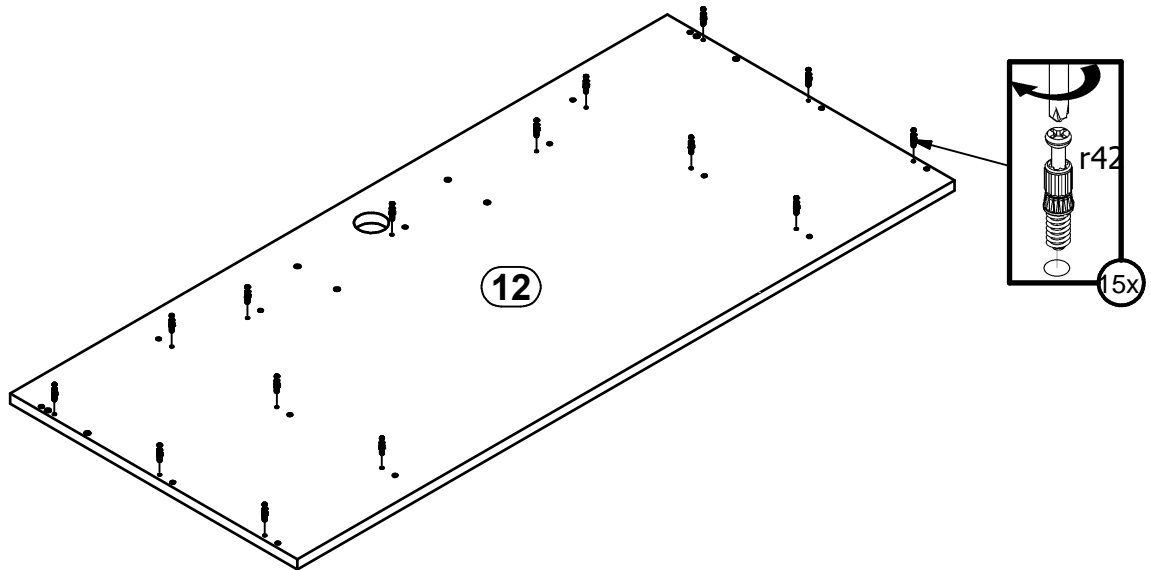
1



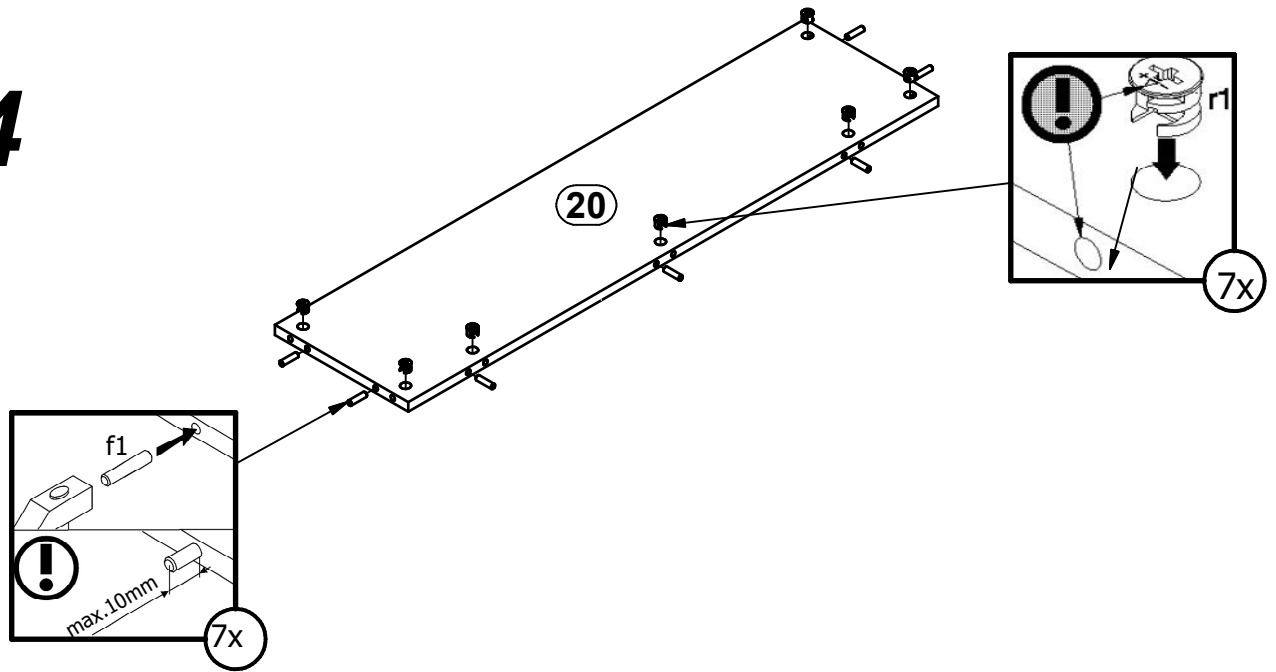
2



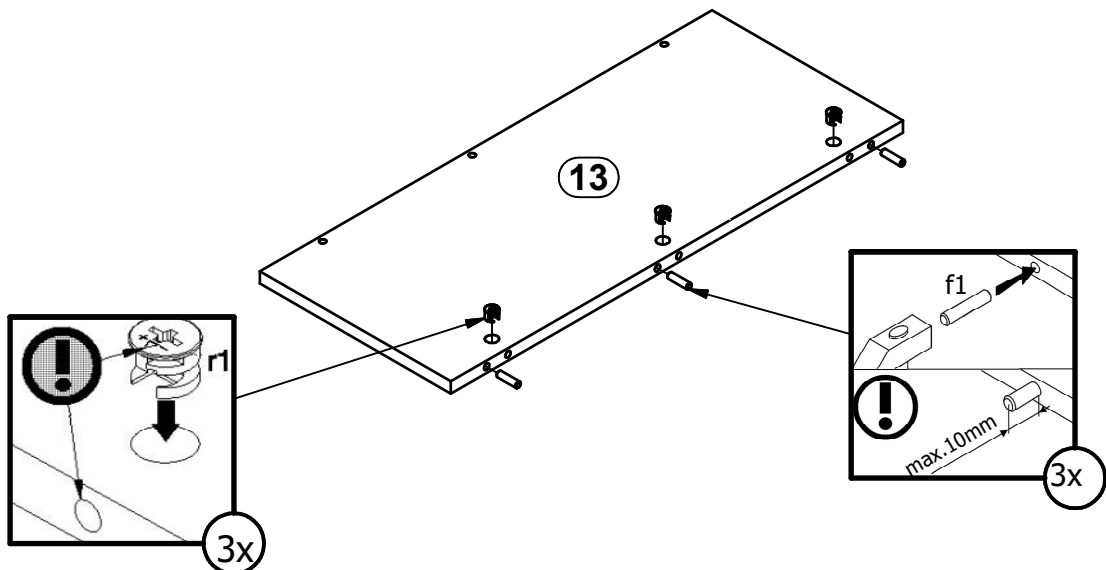
3

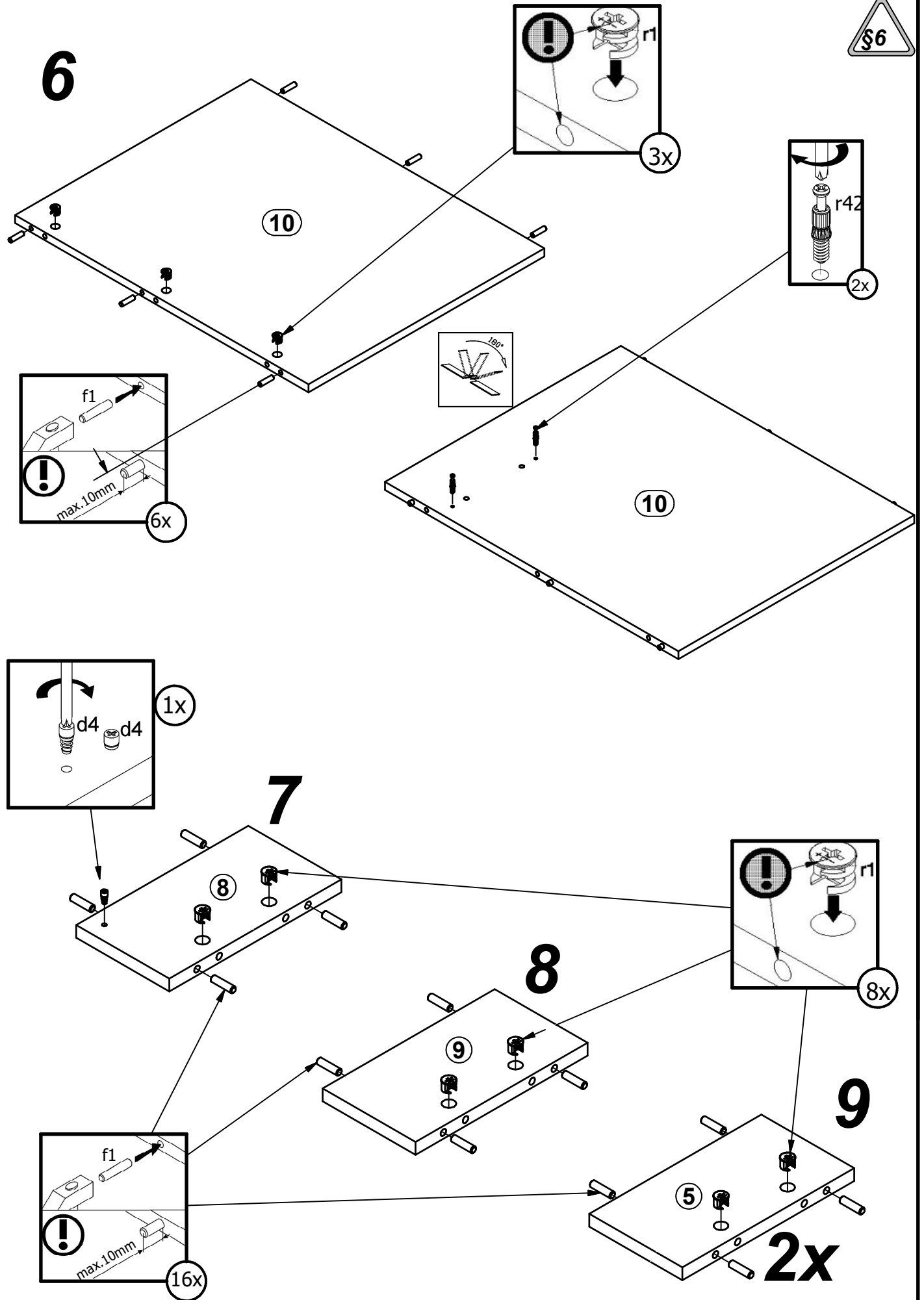


4

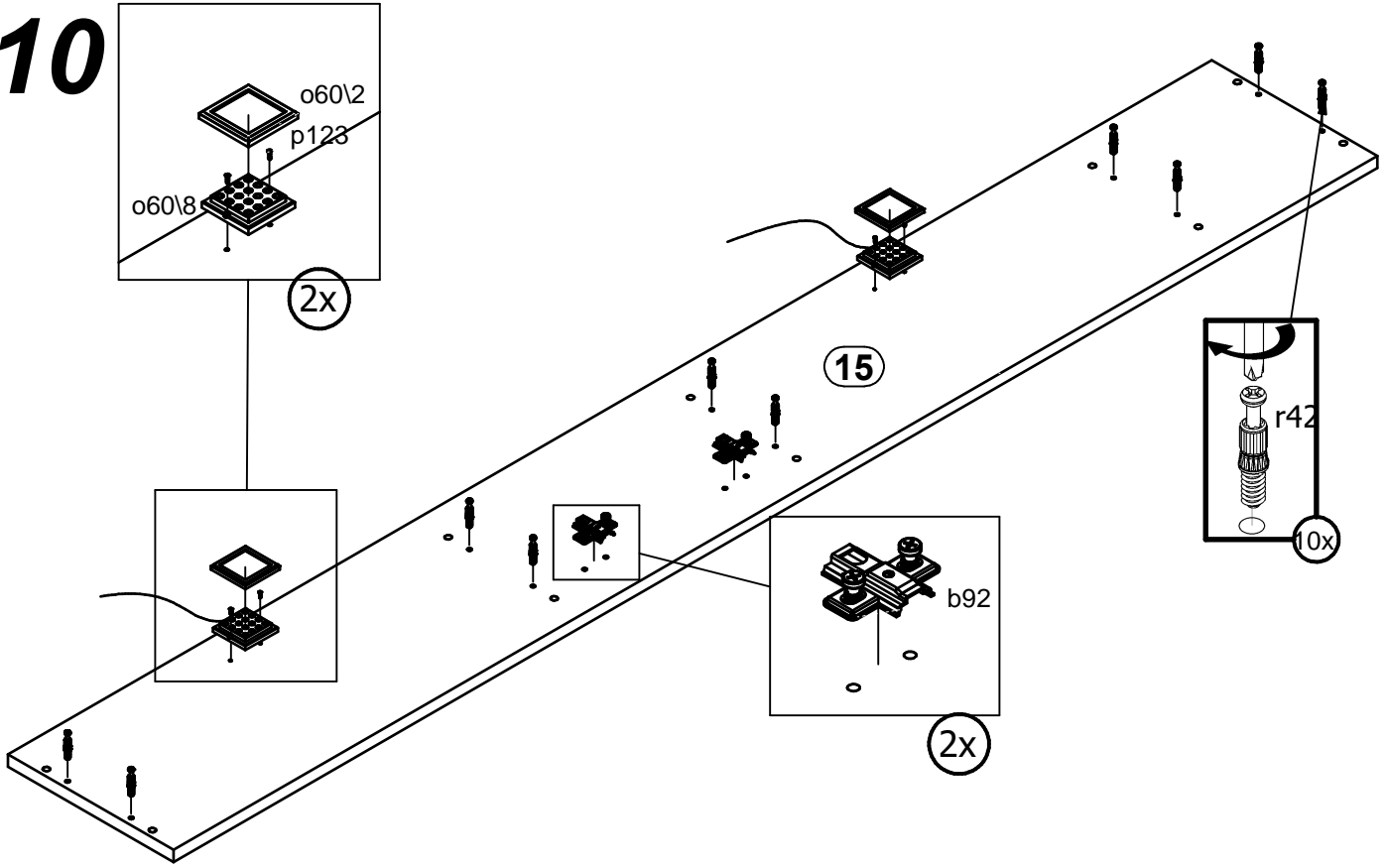


5

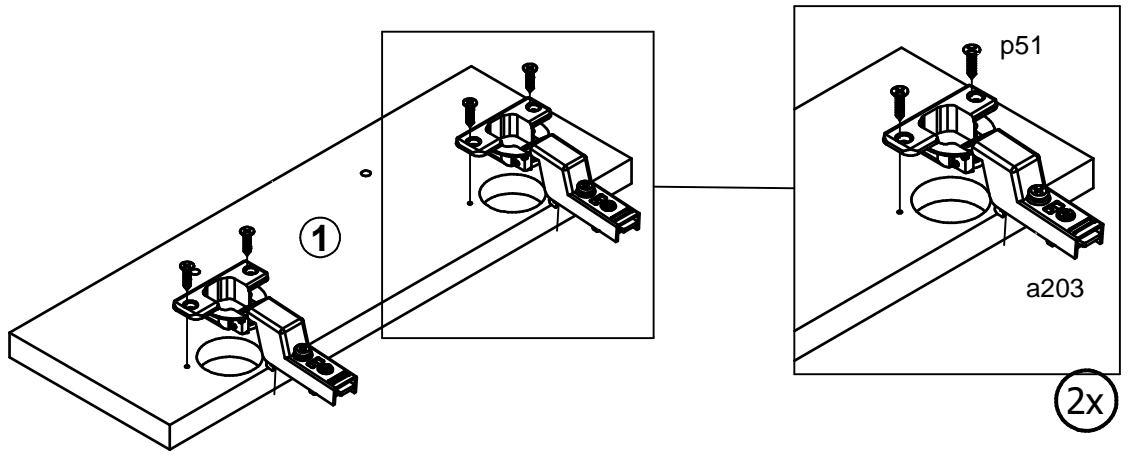




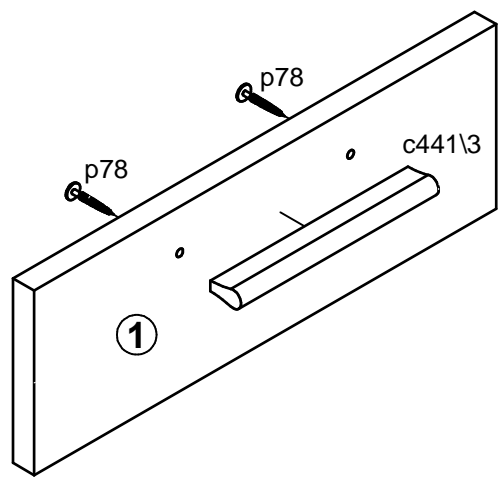
10

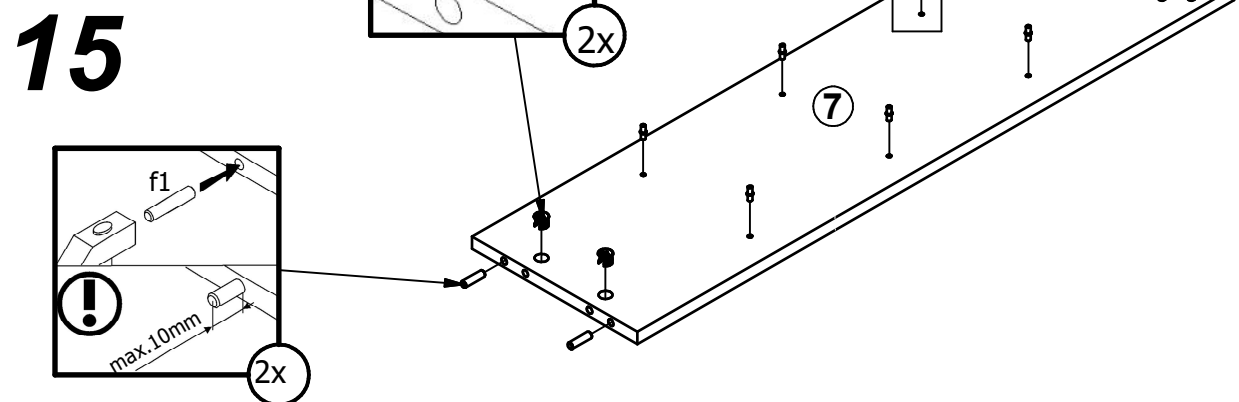
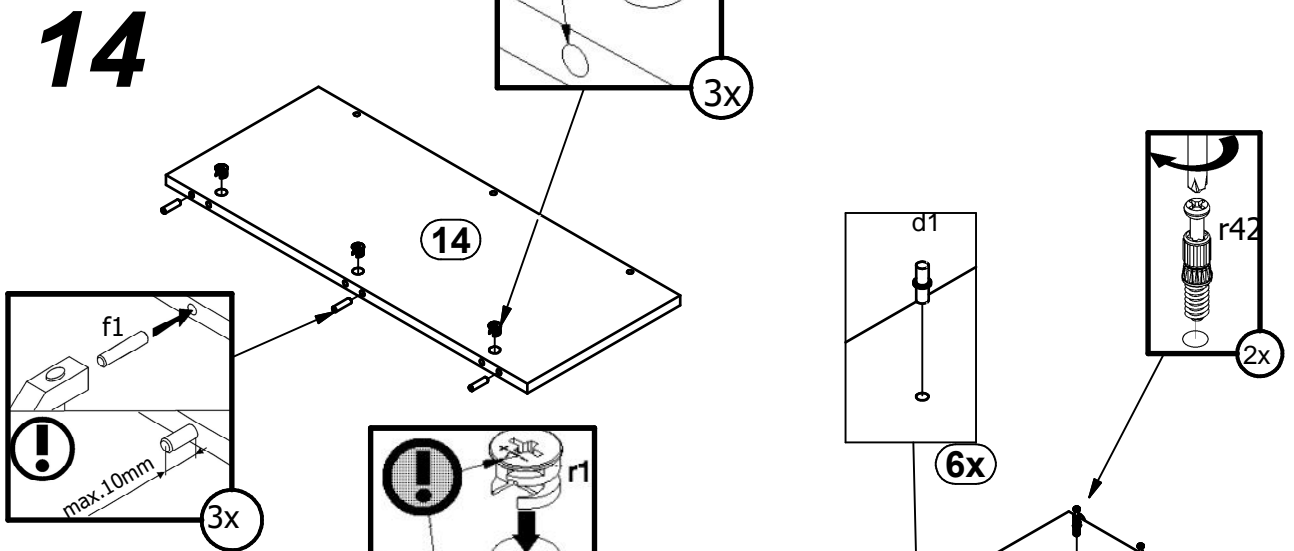
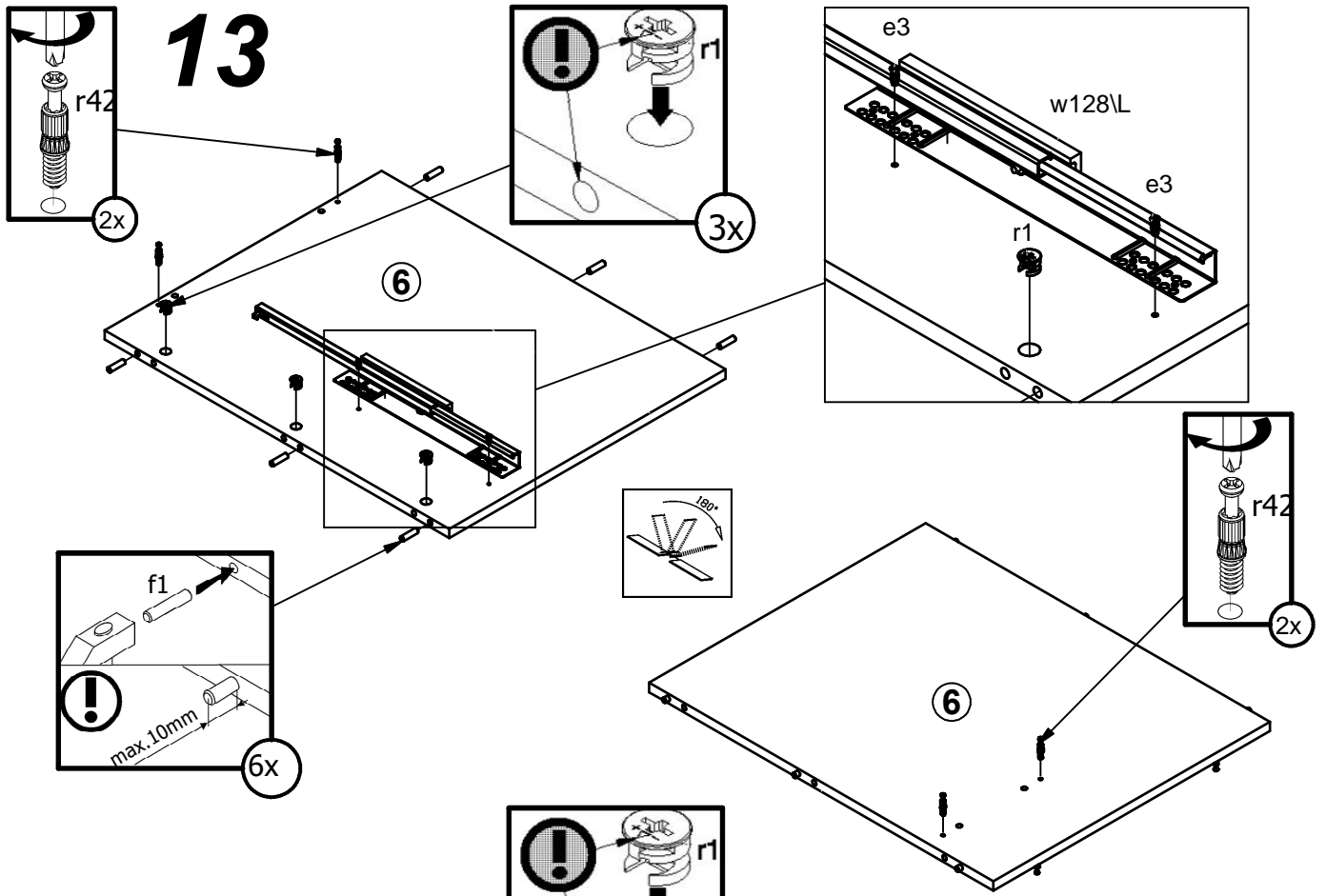


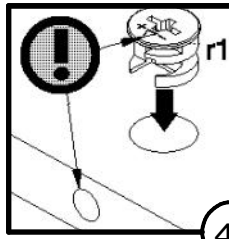
11



12

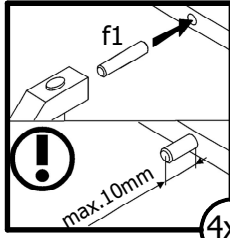






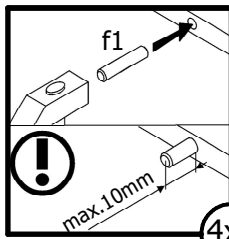
16

4x



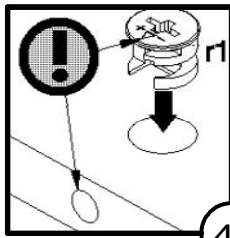
17

4x

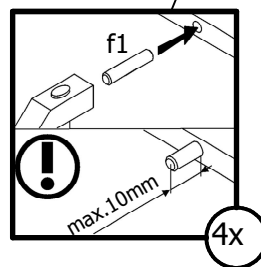
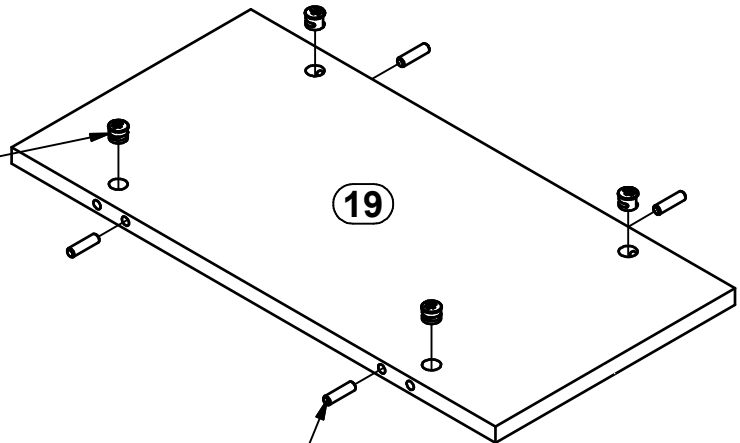
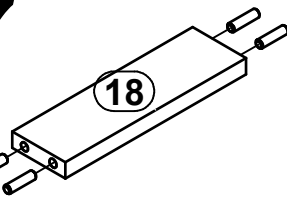
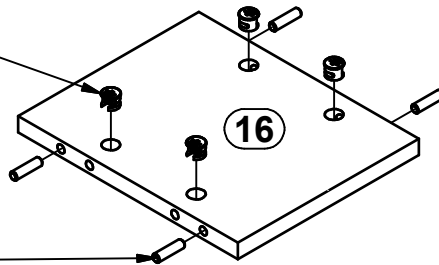


18

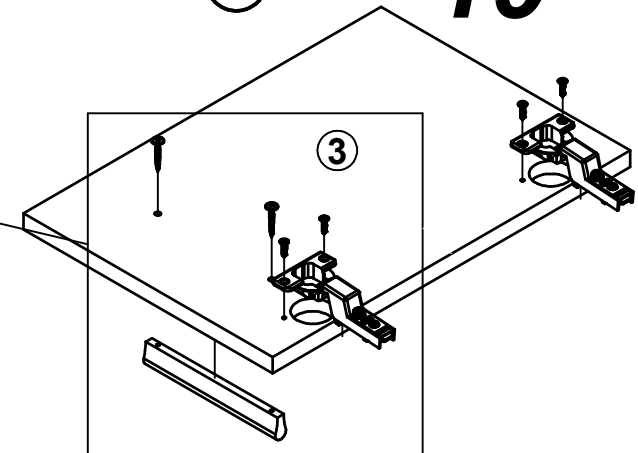
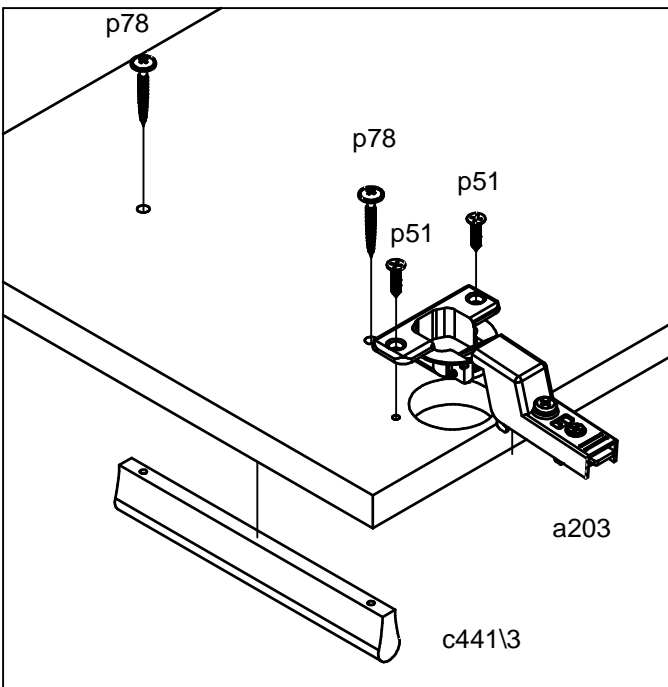
4x



4x



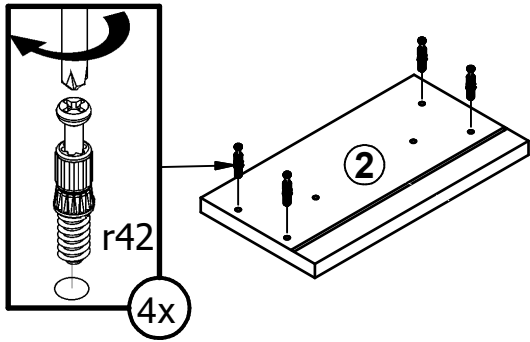
19



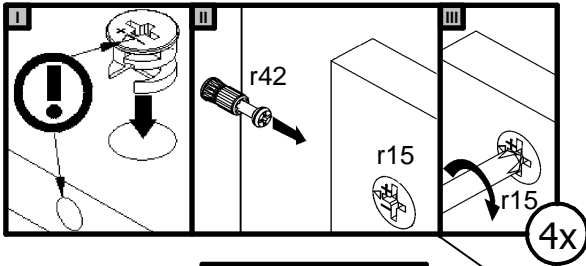
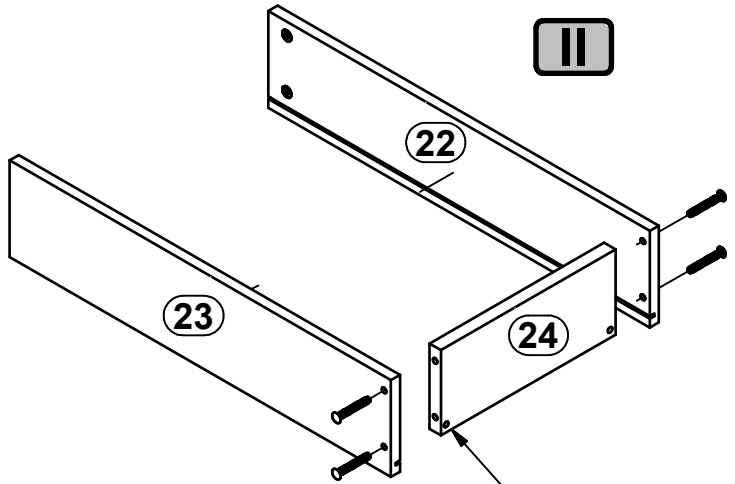


# 20

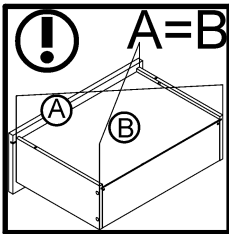
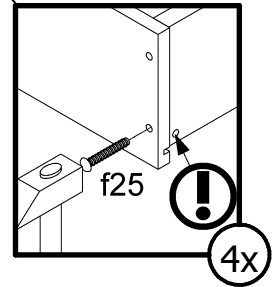
I



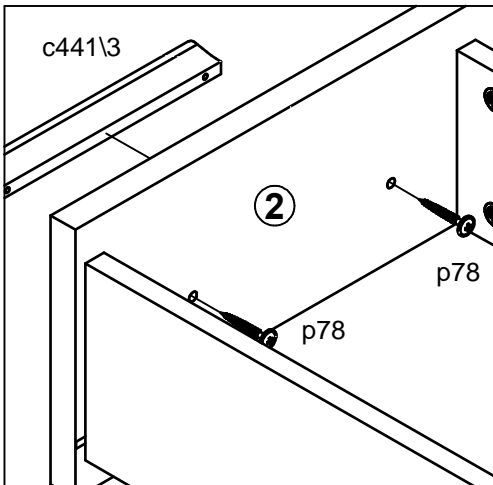
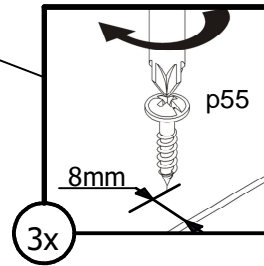
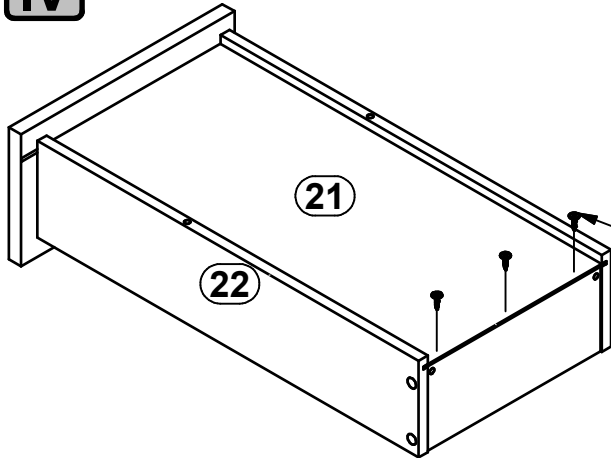
II



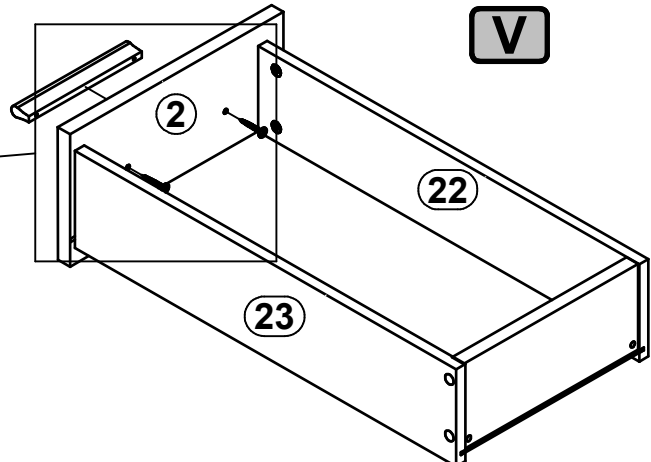
III



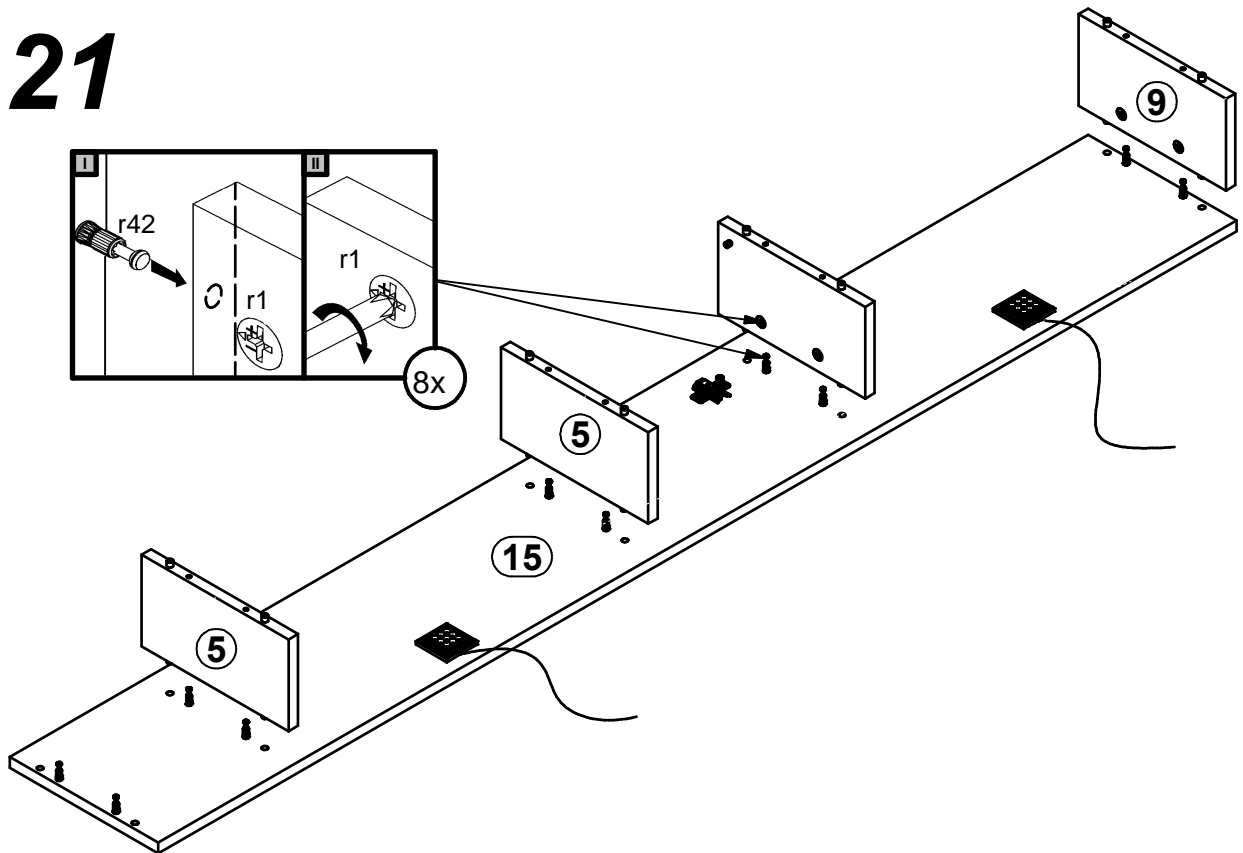
IV



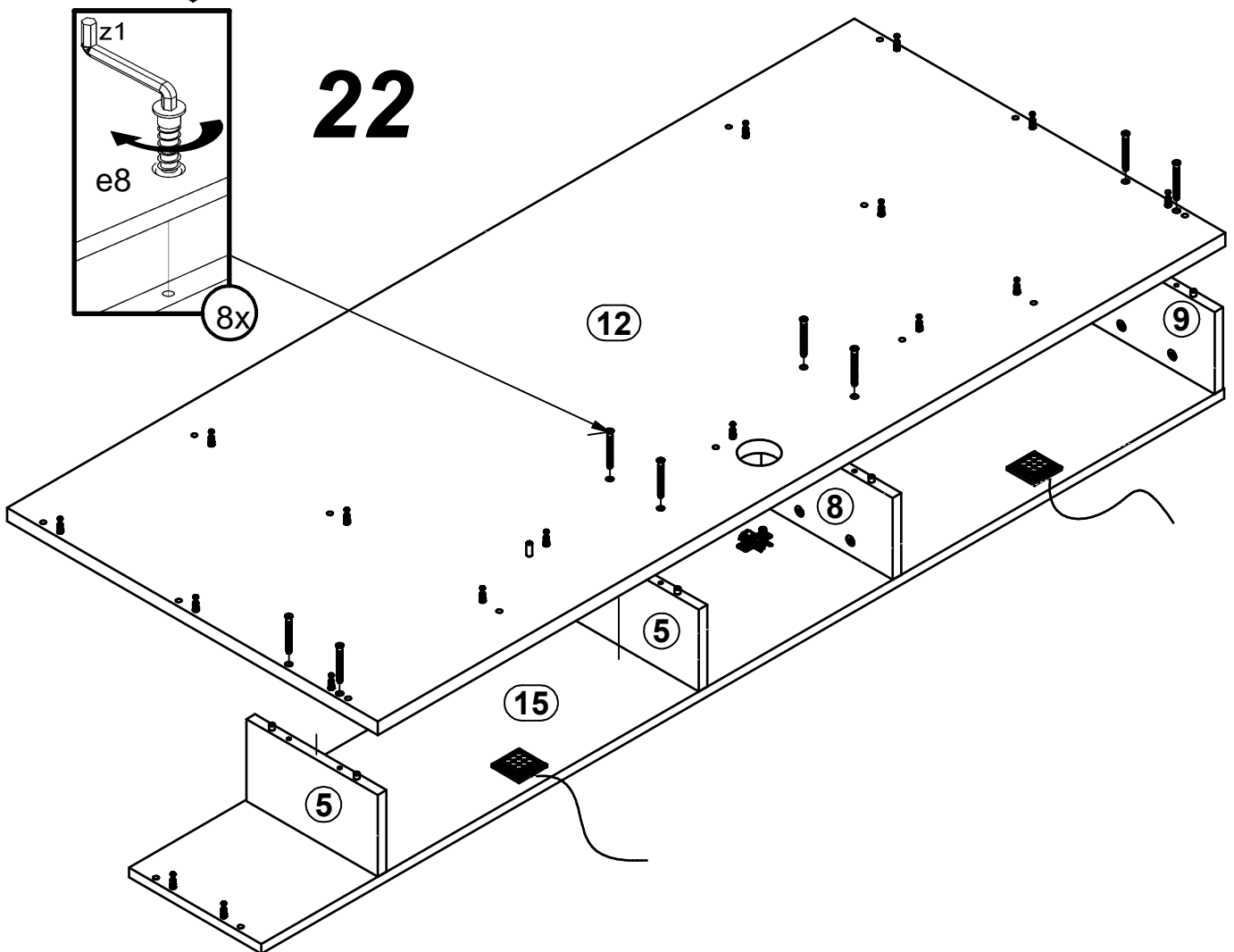
V



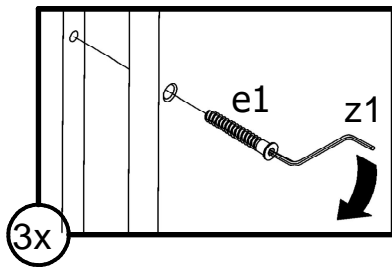
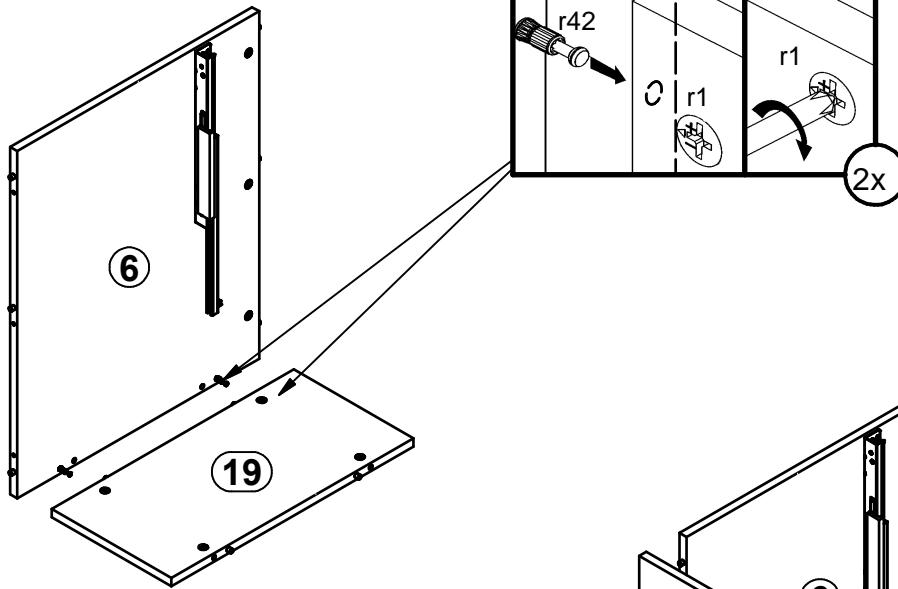
# 21



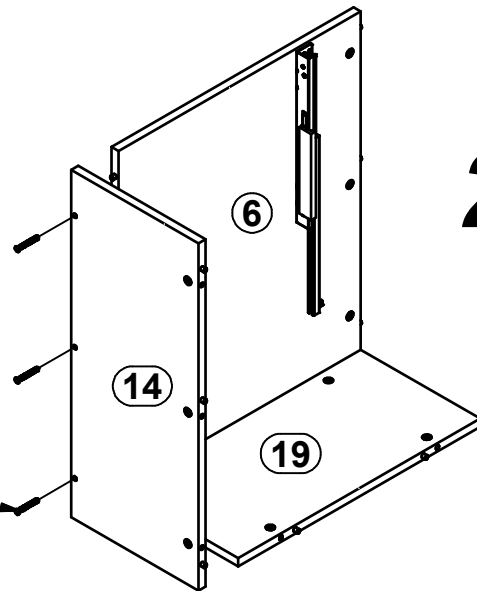
# 22



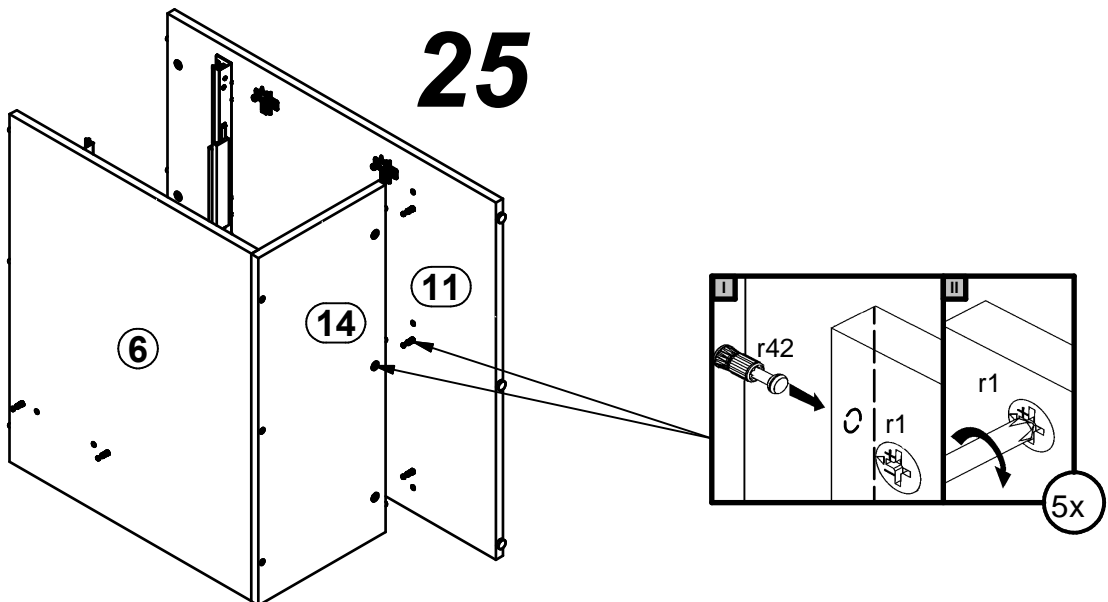
23



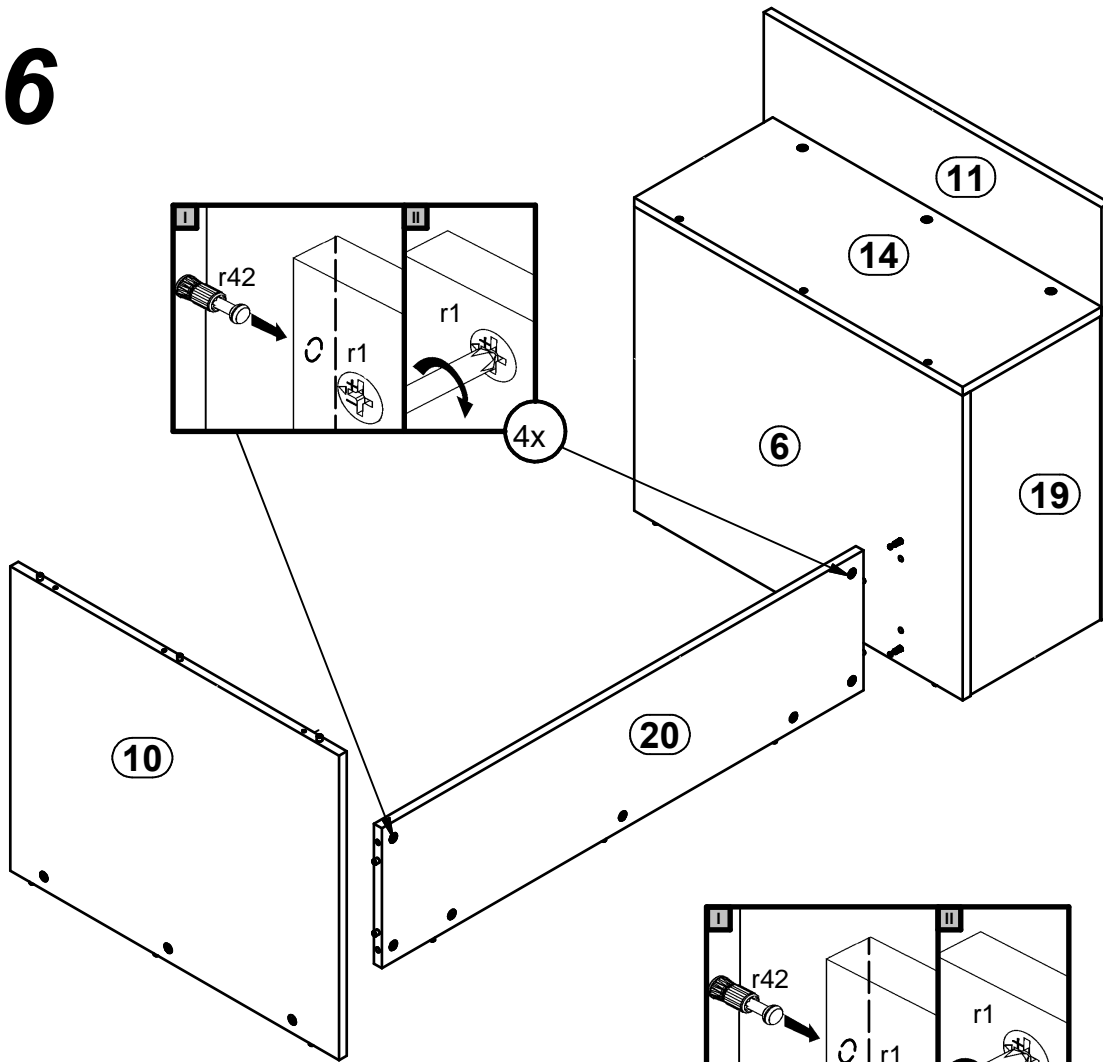
24



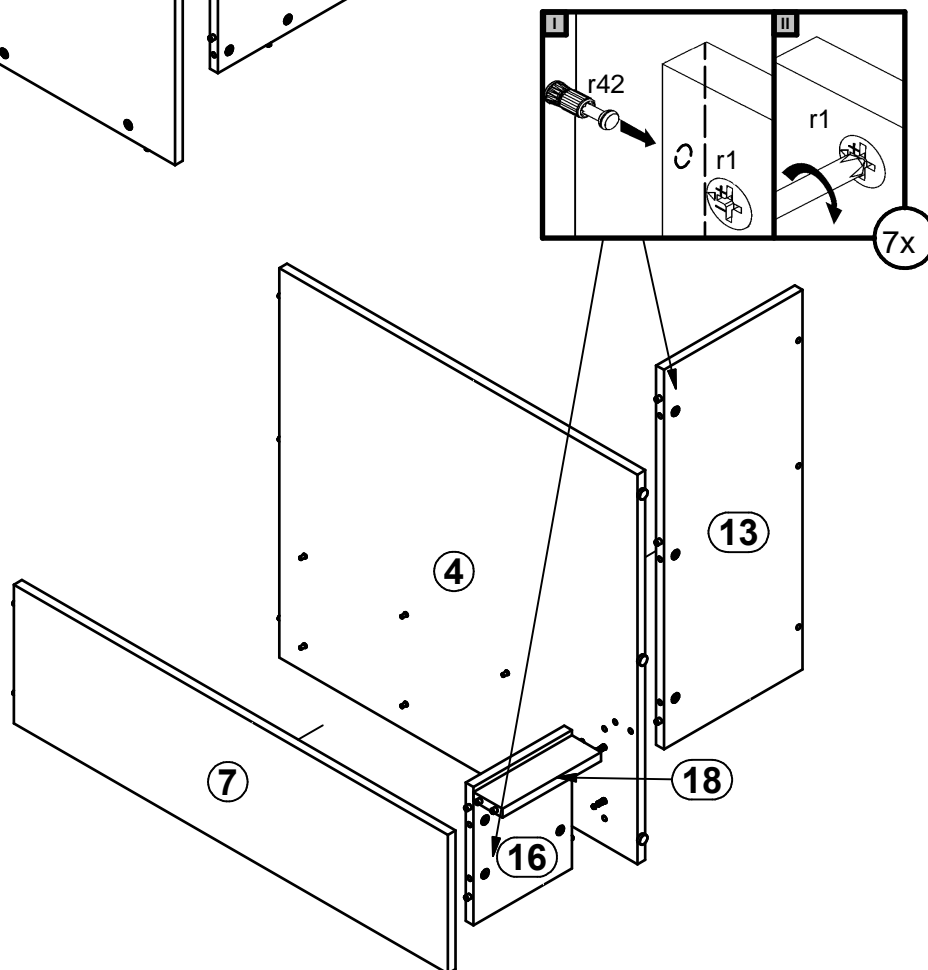
25



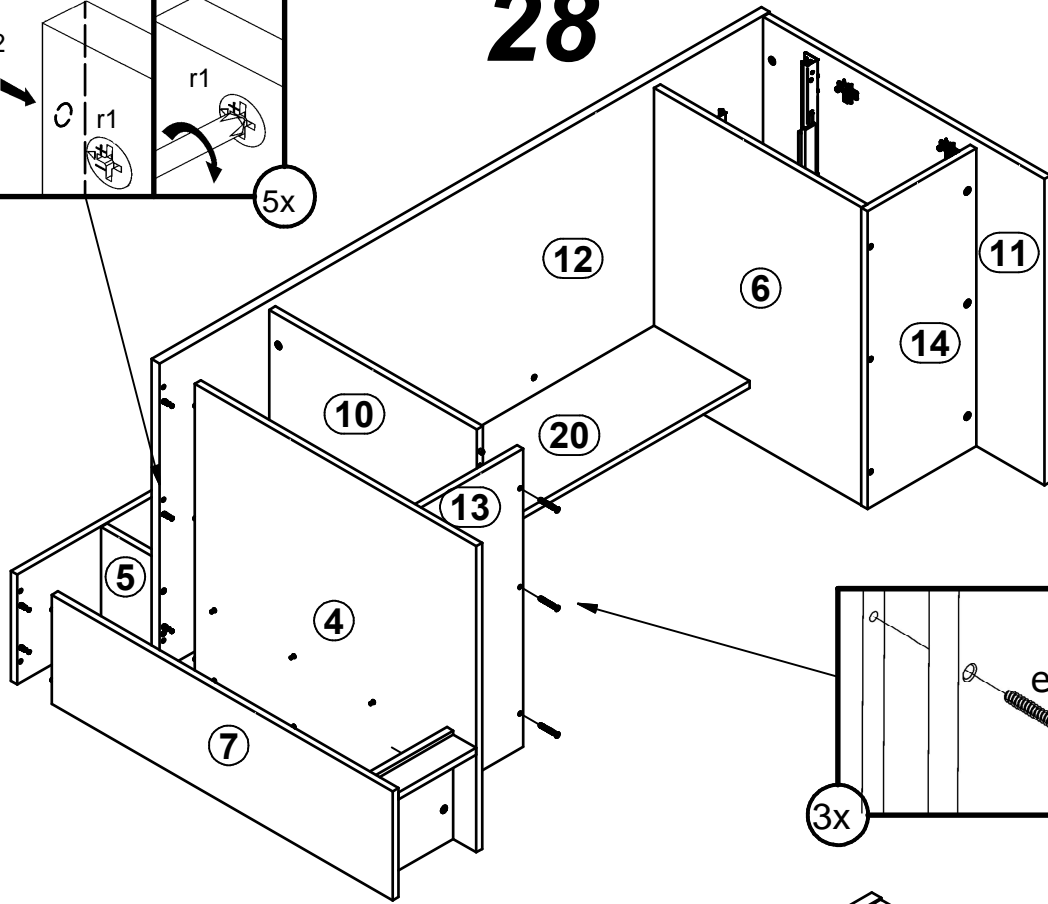
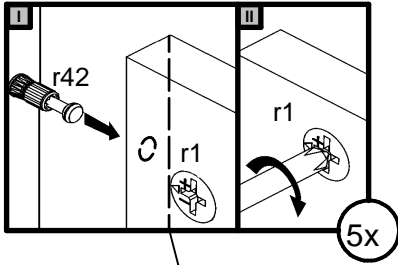
# 26



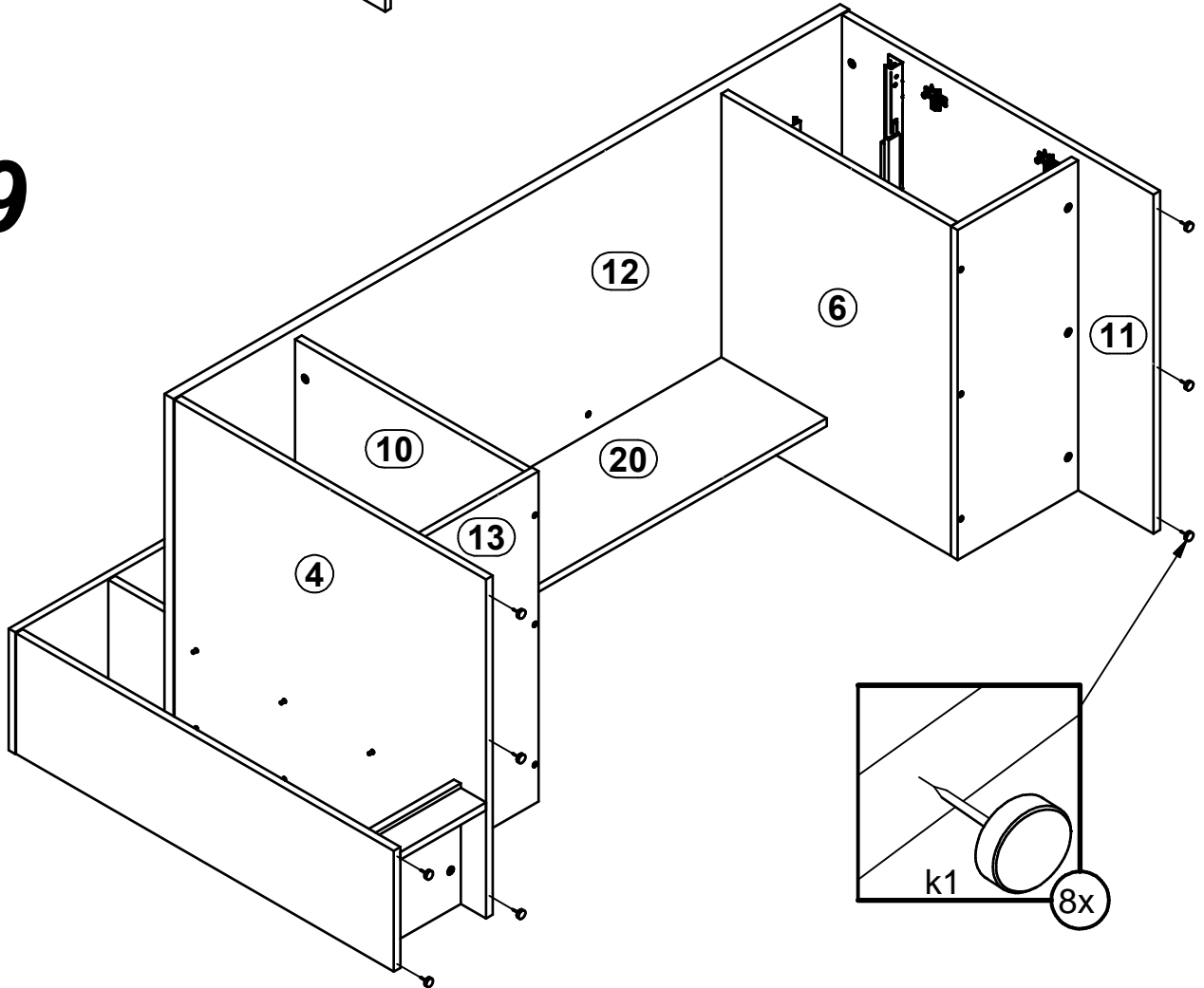
# 27



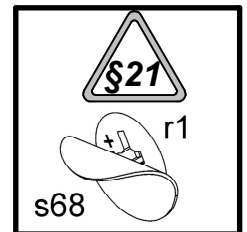
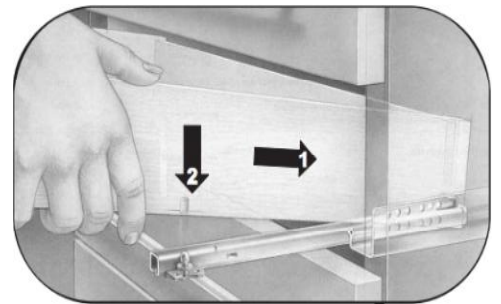
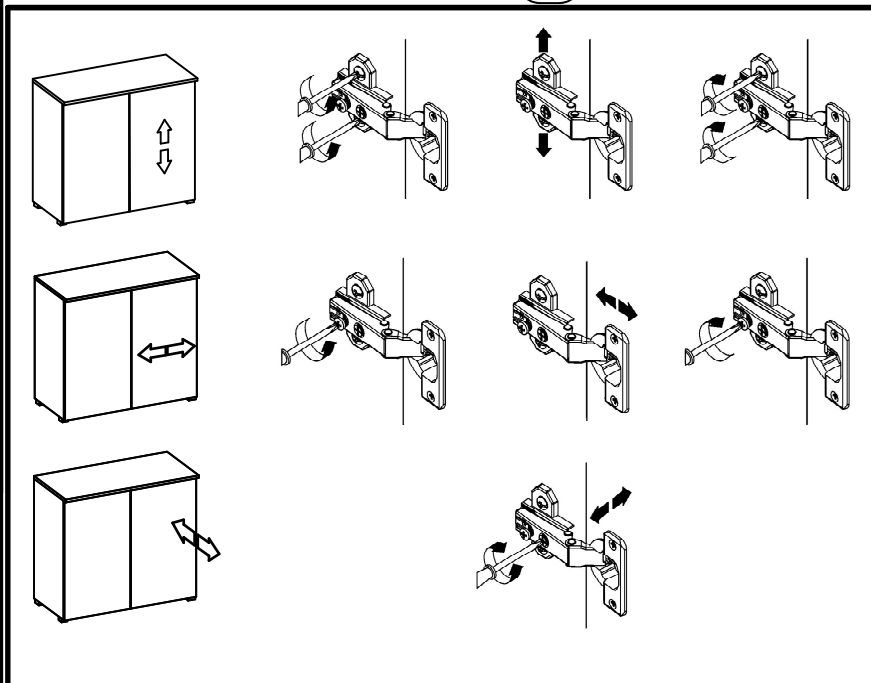
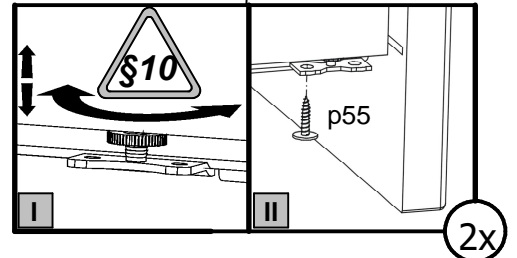
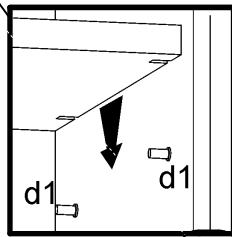
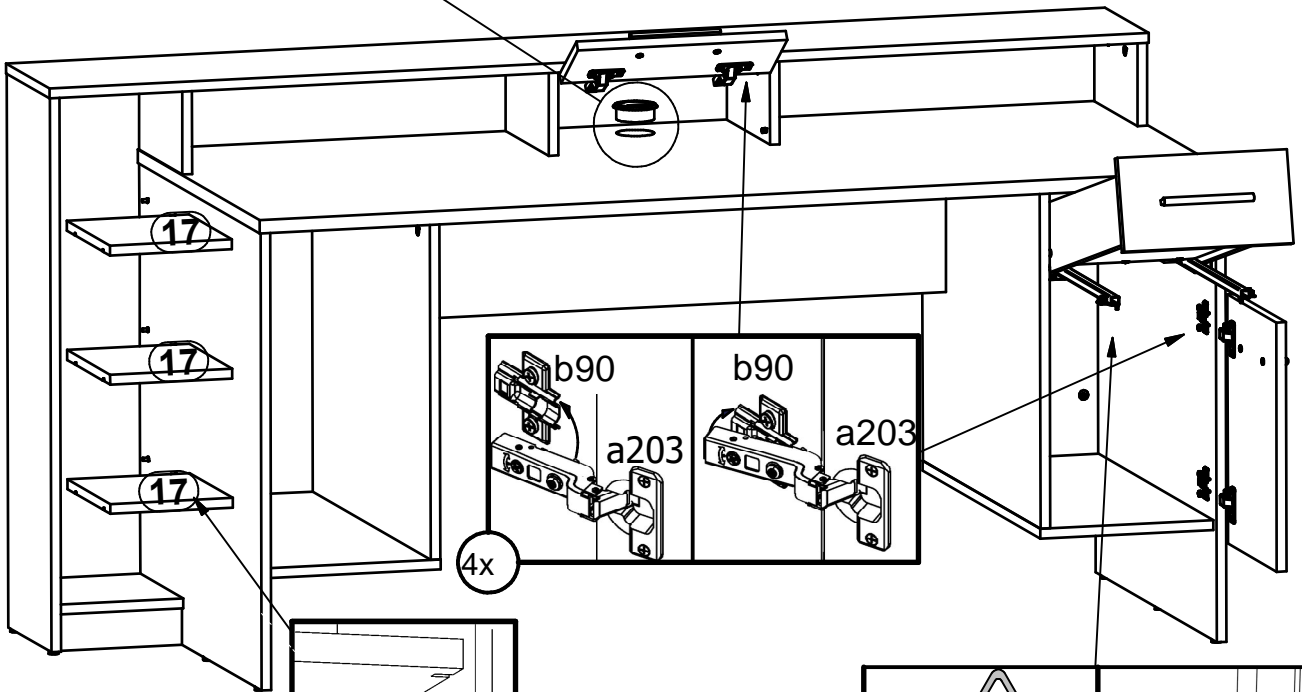
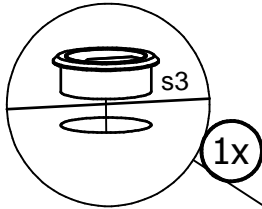
# 28



# 29



30

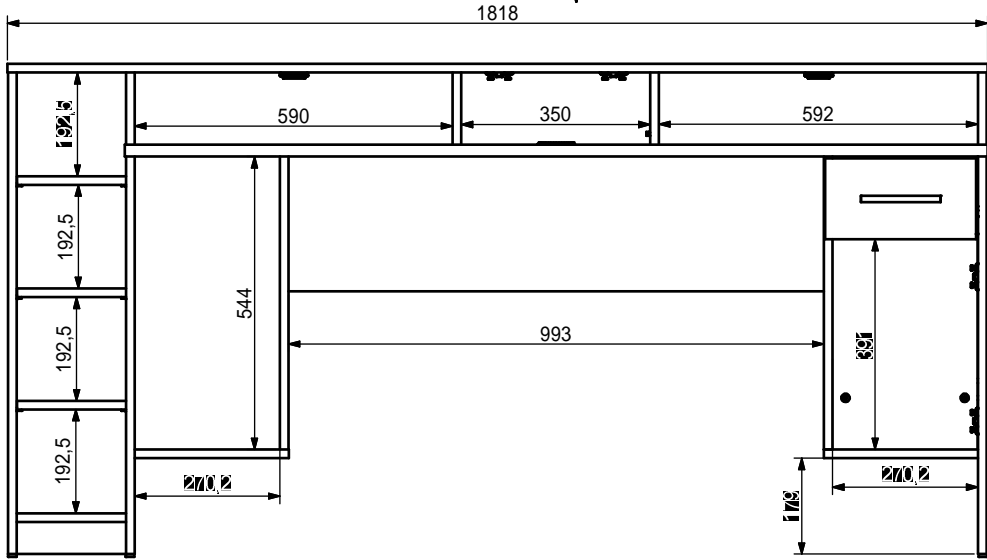


31

C ↓

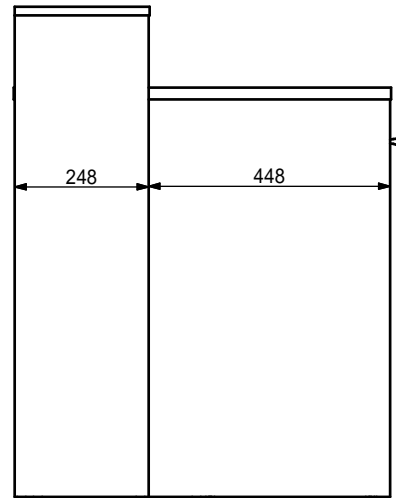
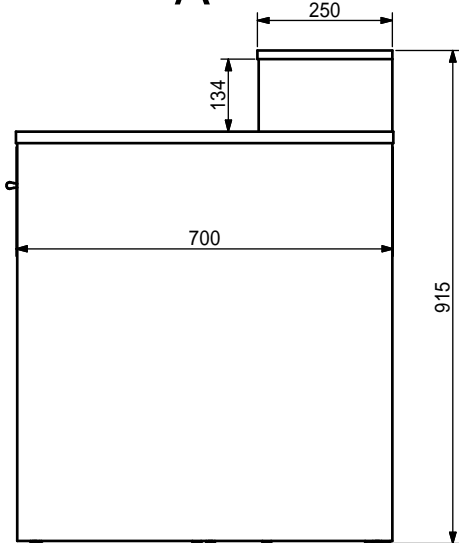
B →

← A



A

B



C

