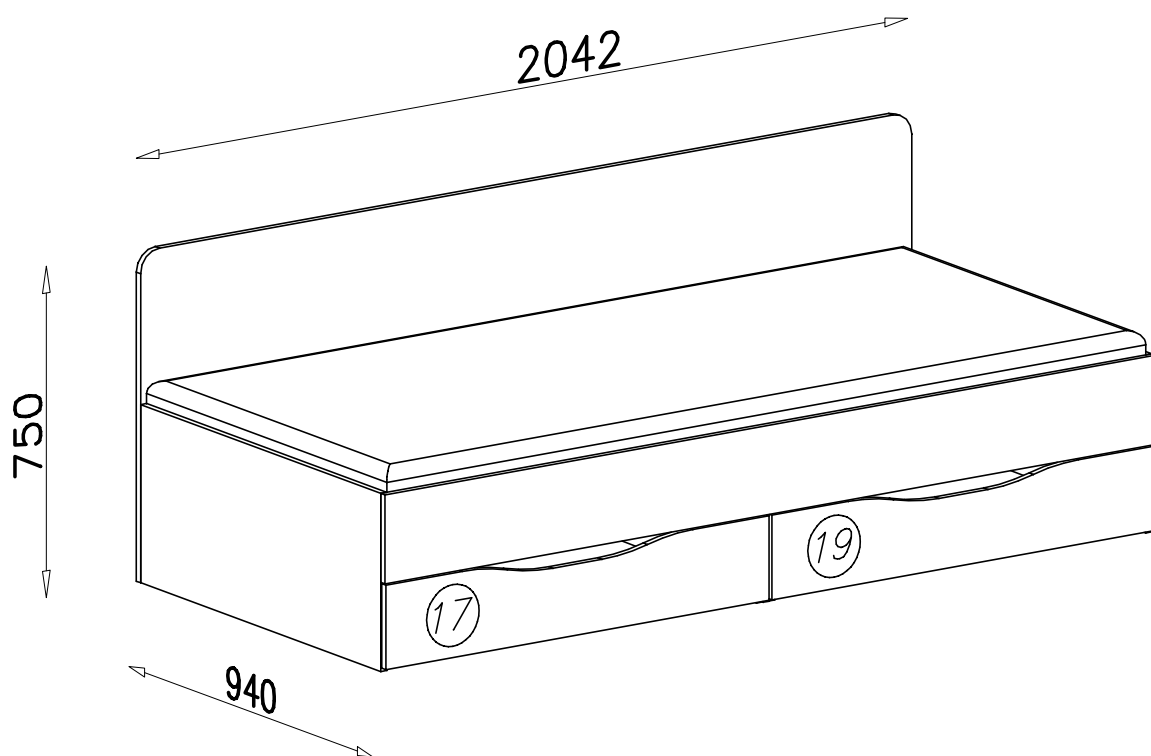
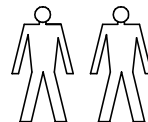
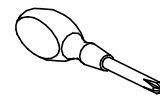
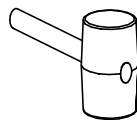
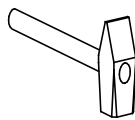
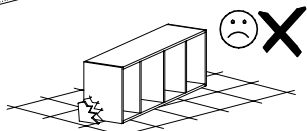
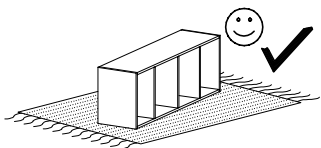
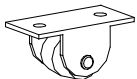
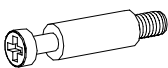
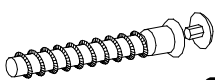

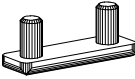
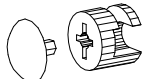



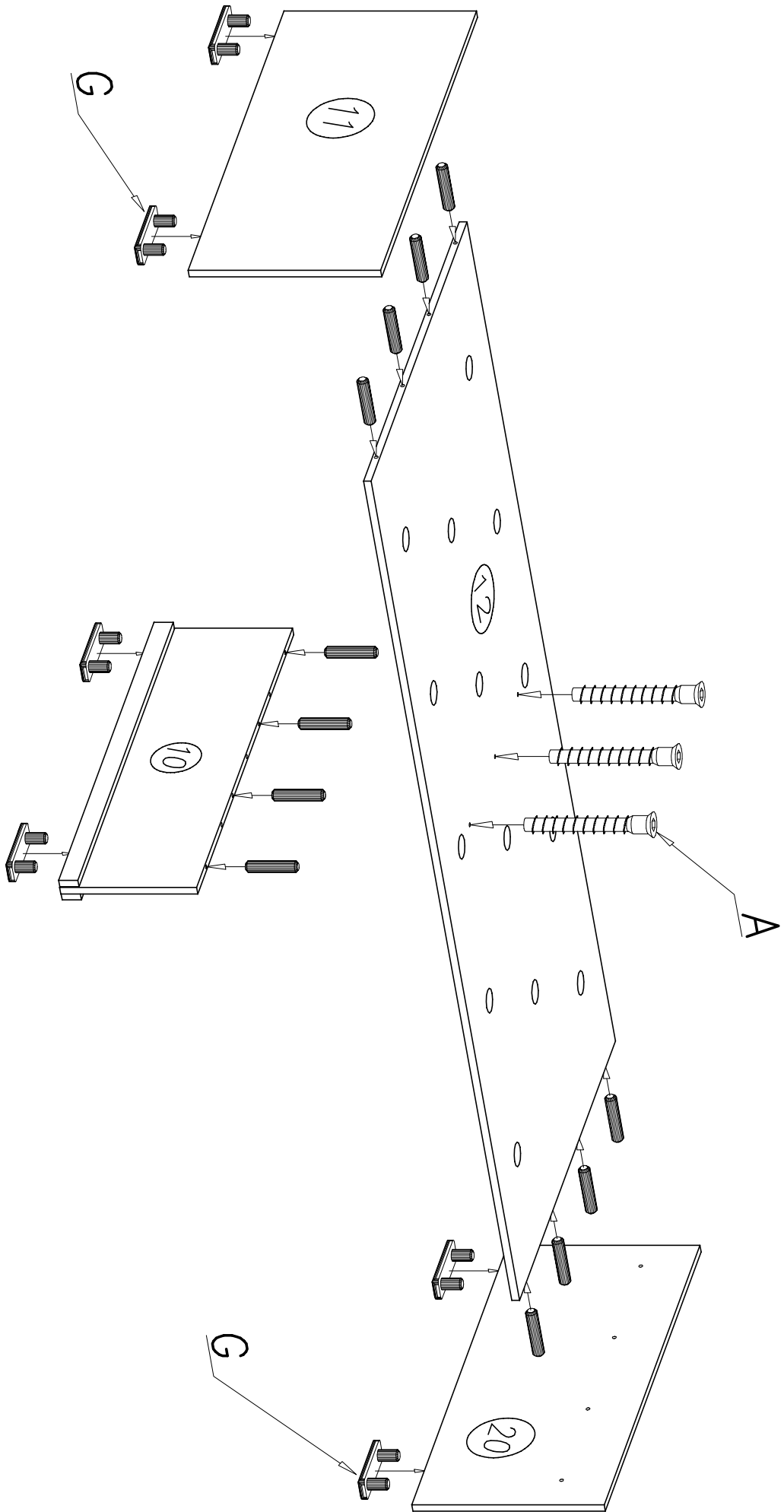


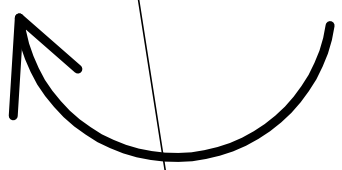
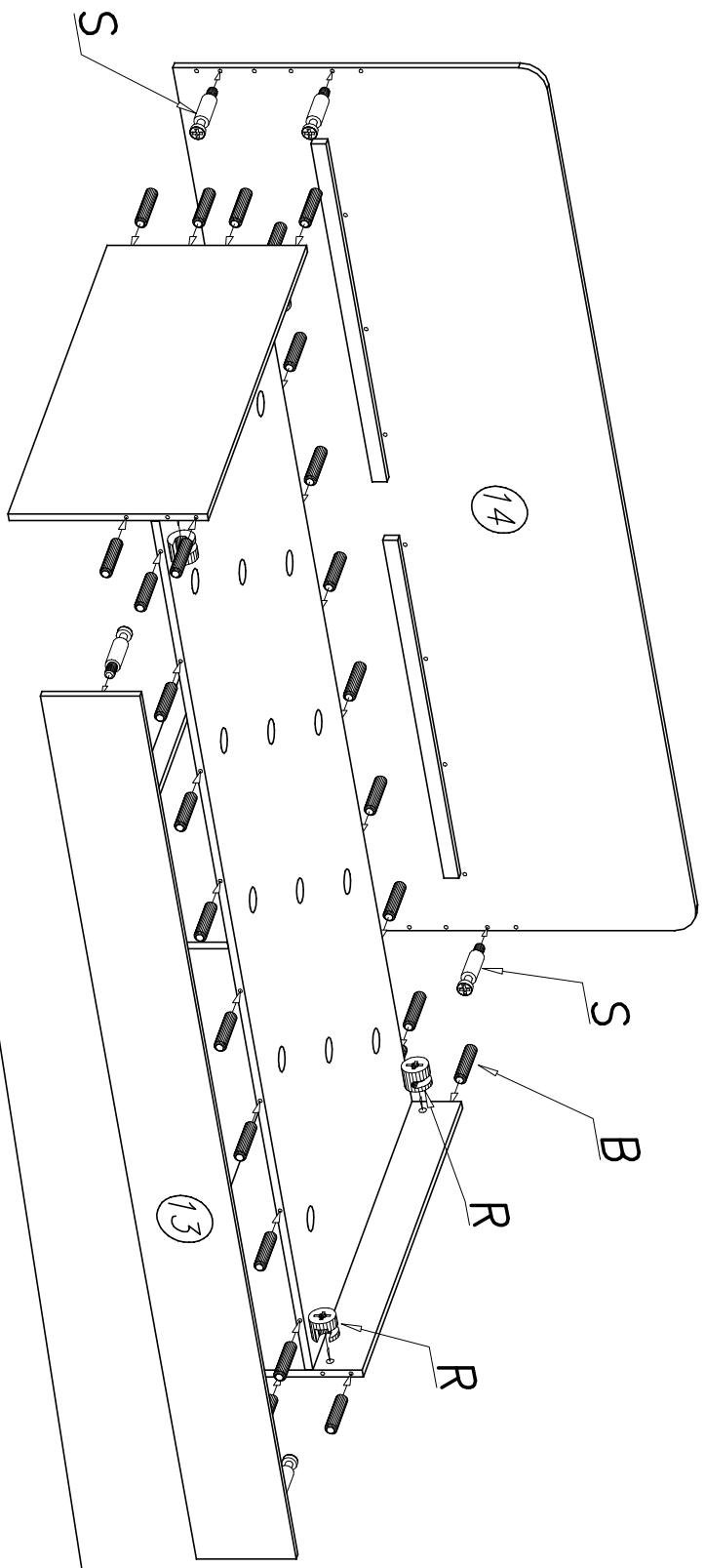
TABLO TA 12A



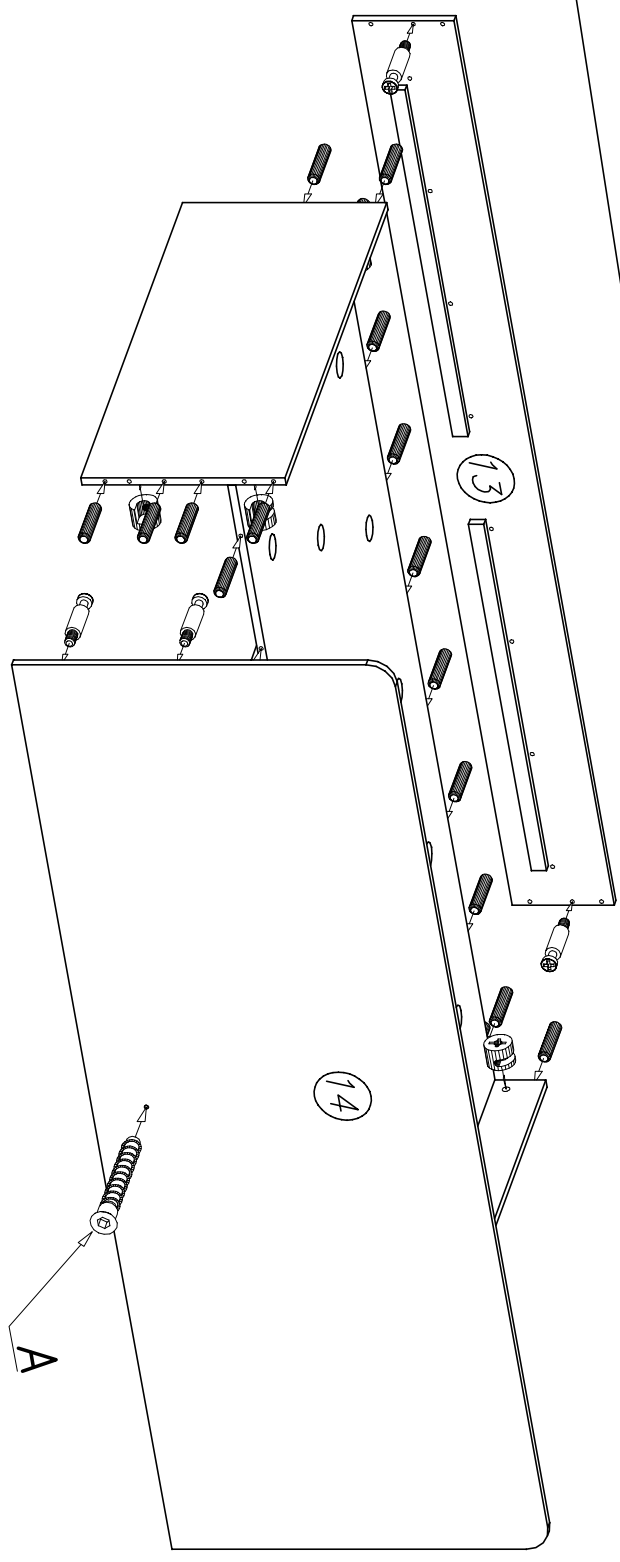
E  x8	S  x6	A  x20	F  4 x 16 x16
G  x10	R  x6	B  x64	Y  x4
		Z  x1	



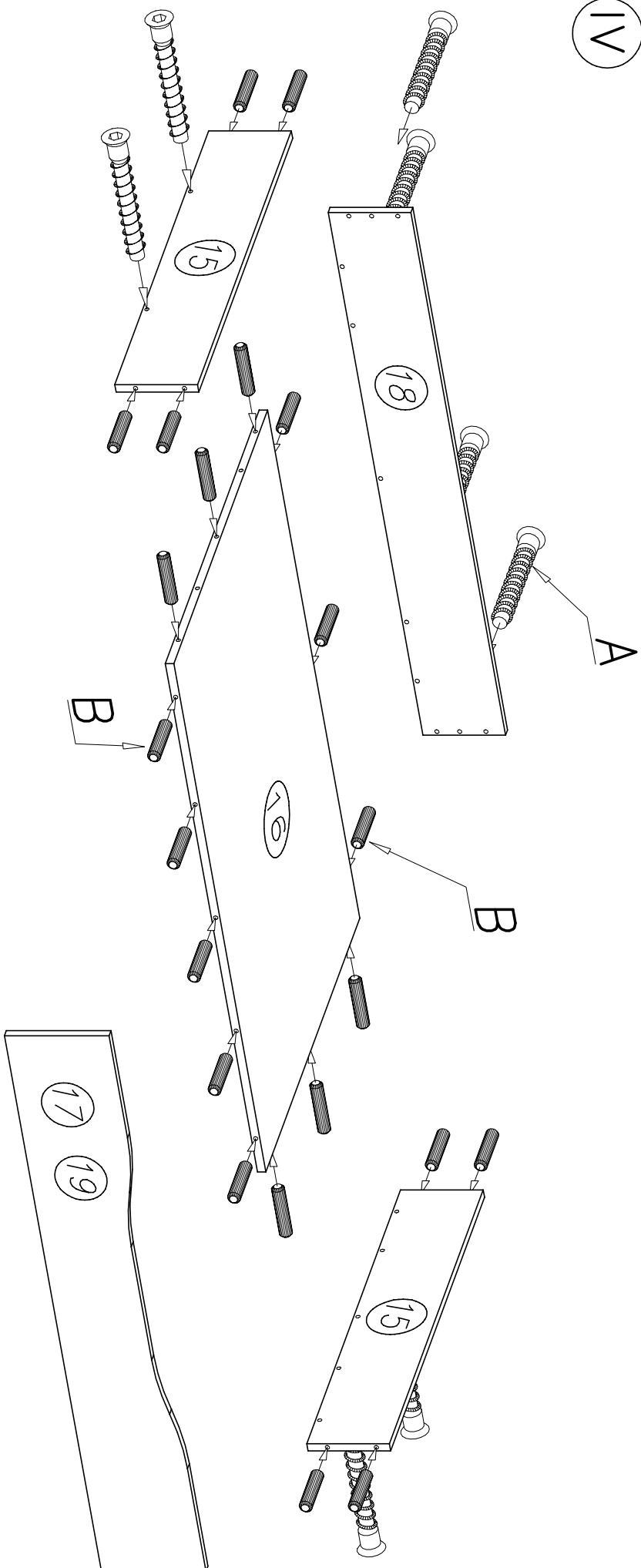
II



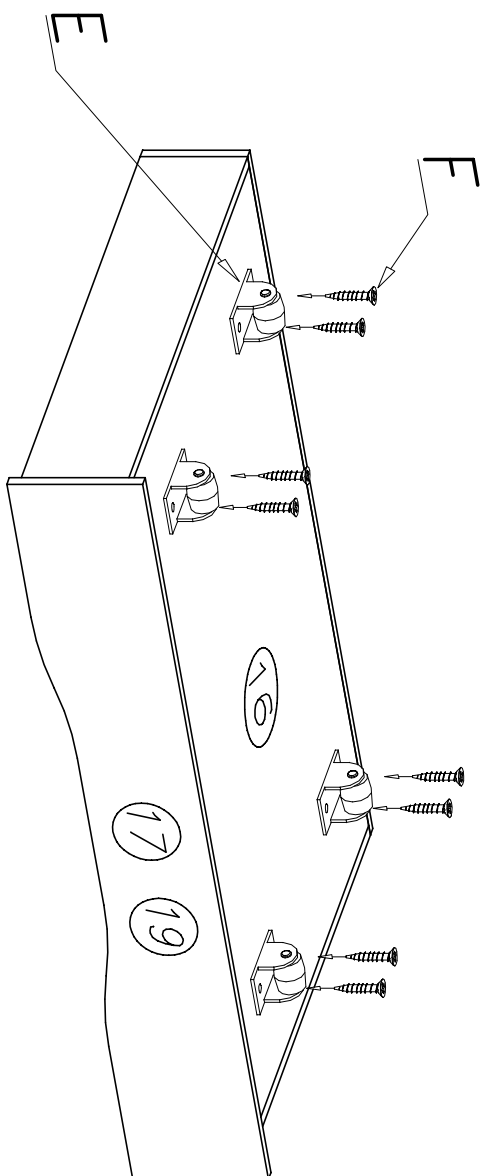
III



IV



V



E

F

16

17

19

17

19

15

18

16

15